

Operation requirement

When use this product to weigh goods, please handle gently. Don't hit it. It can be used by hand or put on flat ground to weigh goods. Stay in a stationary state when weighing, do not shake the scale in case of affecting the weighing.

Operating Instruction

1. Press [TARE] button or [ⓘ] button to start up, "0.0" will be shown on display
2. If the unit on display is incorrect, you can press [MODE] button or [↺] button to switch units.
3. Keep in a horizontal level after starting up, do not shake the scale until "0.0" shown on display
4. Put goods in spoon, hold on for a few seconds, the accurate weight data will be locked automatically.

Note: If do not need auto-locking function, please relieve auto-locking function refer to instruction (Data locking & reading).

Units

g

oz

gn

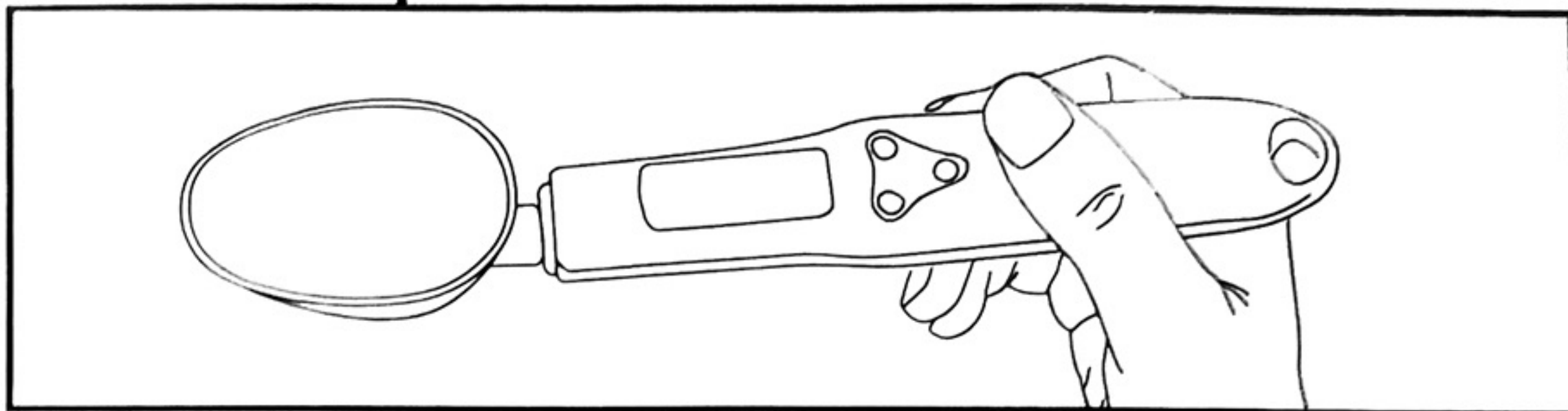
ct

Attention:

1. Do not weigh goods that more than max loading, overloading will damage to the product.
2. Do not use this product in windy and radioactive conditions, gentle breeze and intense radiation will cause the data on display is not steady.
3. Put this product in clean and air drying place, it will cause damage to sensor and circuit board in wet and corrosive environment.
4. If can not start up successfully, please check if the batteries works or if battery mount is correct.

Procedure

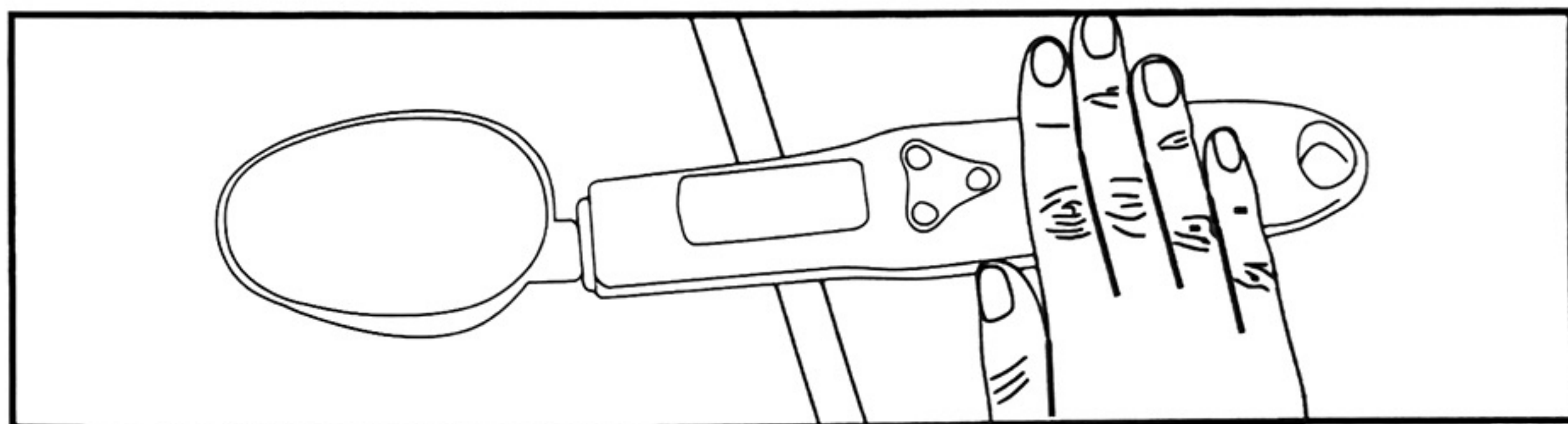
Handhold procedure



1. Keep in a horizontal level after starting up, do not shake the scale until "0.0" shown on display. Put goods in spoon, hold on for a few seconds, the accurate weight data will be locked automatically.
2. Keep in a horizontal level after starting up, do not shake the scale until "0.0" shown on display. Use spoon to scoop up goods, hold the spoon scale horizontally. Do not shake the scale, hold on for a few seconds, the accurate weight data will be locked automatically.

Notice: Keep in a tare horizontal state after starting up, keep horizontally when read data. (The change in value when use spoon to scoop up goods does not affect the weighing accuracy)

Weighing on horizontal table procedure



Put on horizontal table before starting up, then use hand or anything with weight to press above the scale. The spoon part should be out of table, hanging in the air motionlessly. Do not shake the scale, then start up. Put goods in spoon, hold on for a few seconds, the accurate weight data will be locked automatically.

Key Function Specification

ON/OFF button	【ON/OFF】	【ⓘ】
Units button	【MODE】	【:.)】
TARE/ZERO button	【TARE】	【ⓘ】
Data locked button	【HOLD】	【⊙】

Note: The ON/OFF button is the same button as TARE/ZERO button. Under the state of power-on, press [TARE] button to switch to TARE/ZERO function.

ON/OFF

Power-on: Press [TARE] button to start up.

Power-off: Long press [TARE] button to power off.

ZERO/TARE

Press [TARE] button or [ⓘ] button after starting up, remove the weight of vessel, then data "0.0" will be shown on the display. Then you can put goods in spoon to weigh the weight.

Data locking & reading

1. The data is stable on the display when you weigh goods, the data will be locked automatically.
2. The data will be unlocked after pressing [HOLD] button or [⊙] button . Then weigh goods again, the data will be also locked automatically after data is stable.
3. Long press [HOLD] button or [⊙] button , the data will not be locked automatically when the letters "H-ON" shown on display.
4. Long press [HOLD] button or [⊙] button again, return to the status of automatically data locking when letters "H-OFF" shown on display.

Off time

The default shutdown time of this product is one minute. The electronic scale will extend shutdown time automatically when it works continuously in one minute.