

# User Manual

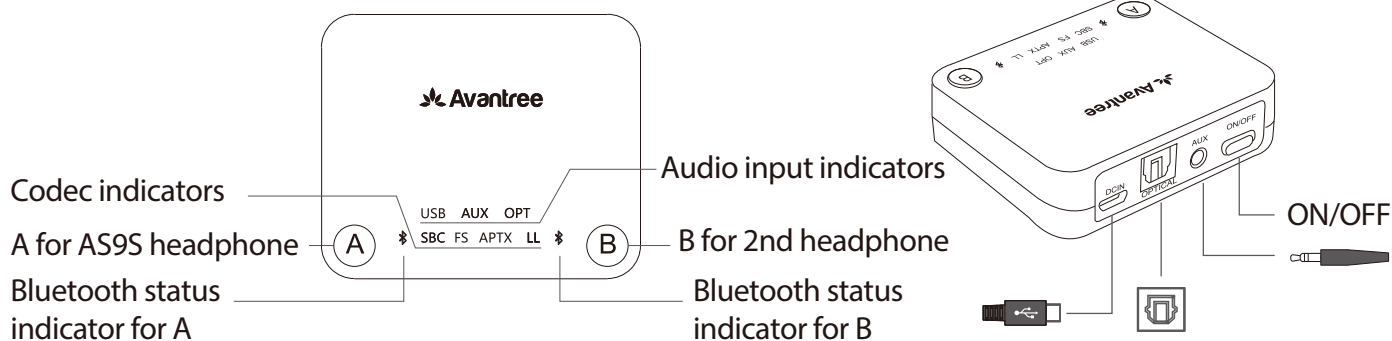
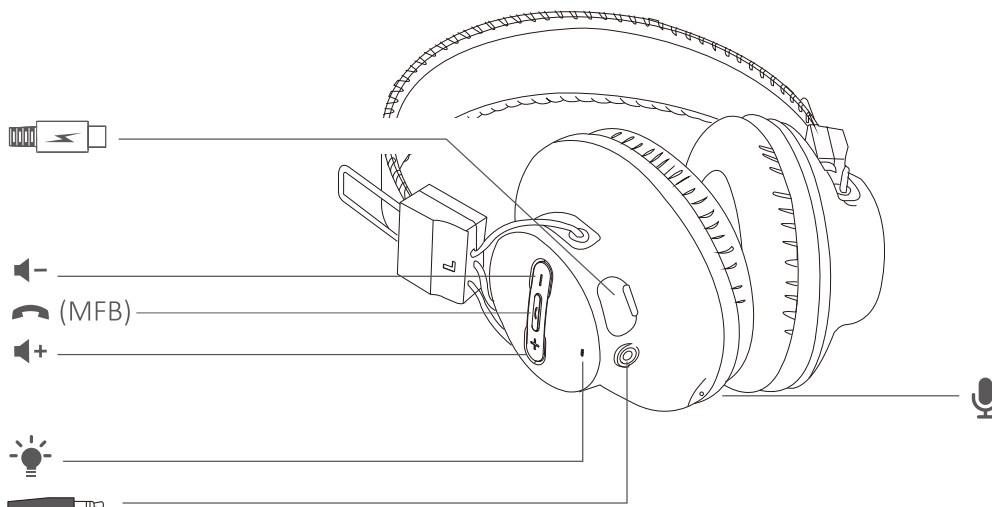
## Wireless Headphone Transmitter Set

BTHT-4189-BLK



Overview .....	1
LED indication & voice prompts .....	1
Turn on HT4189 .....	2
Use HT4189 with your TV .....	3
Check your TVs output options before the set up .....	3
TVs with OPTICAL audio out .....	4
TV s with AUX 3.5mm Audio Out .....	4
TVs with RCA audio out (Red/White ports labeled "AUDIO OUT") .....	5
Use HT4189 with your AV Receiver with 6.35mm PHONE jack .....	6
Use HT4189 with your PC/Laptop .....	6
Use the headphone independently with cellphone .....	8
Add a 2nd pair of headphones .....	9
Clear paired history .....	9
Headphone charging .....	9
Troubleshooting .....	9

# Overview



## LED Indication & Voice Prompts

### LED indicators of the transmitter(Audikast)

Status	LEDs indication	
Pairing	Pairing with AS9S	✂ close to A flashes <b>BLUE</b> and <b>RED</b> alternately
	Pairing with 2nd headphones	✂ close to B flashes <b>BLUE</b> and <b>RED</b> alternately
Connected	Connected with AS9S	✂ close to A turn <b>SOLID BLUE</b>
	Connected with 2nd headphones	✂ close to B turn <b>SOLID BLUE</b>
Reconnecting	Reconnect with AS9S	✂ close to A flashes <b>BLUE</b> once per 2 seconds
	Reconnect with 2nd headphones	✂ close to B flashes <b>BLUE</b> once per 2 seconds

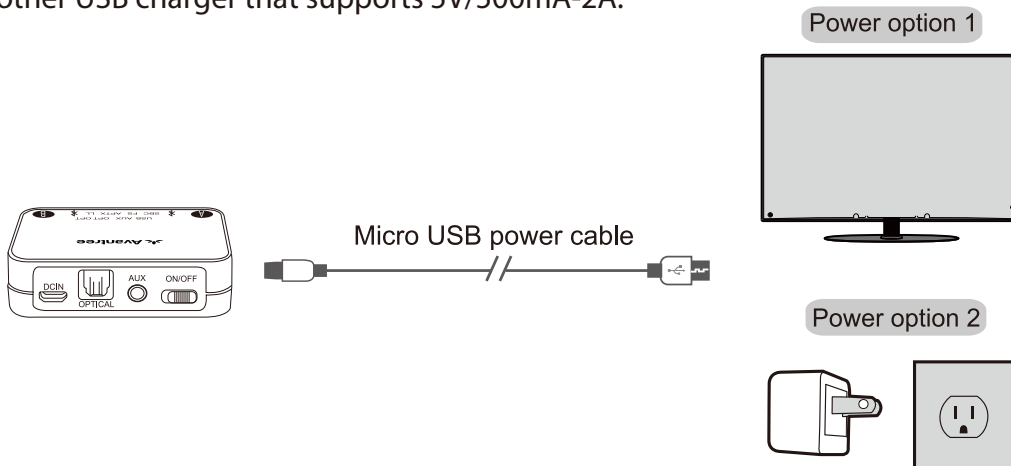
## LED indicators & voice prompts of headphones(AS9S)

Status	LEDs indication	Voice prompt
Power On	BLUE LED is on for 1 second	Welcome to Avantree
Power Off	RED LED is on for 2 seconds, then turn off	Good bye
Pairing	RED and BLUE LED flashes alternately	Pairing
Connected with Audikast	BLUE LED on	Connected
Reconnecting	BLUE LED flashes once per 2 seconds	Connected
Charging/charging complete	RED LED on/off	NA
Low battery	RED LED flashes	Low battery


## Turn on HT4189

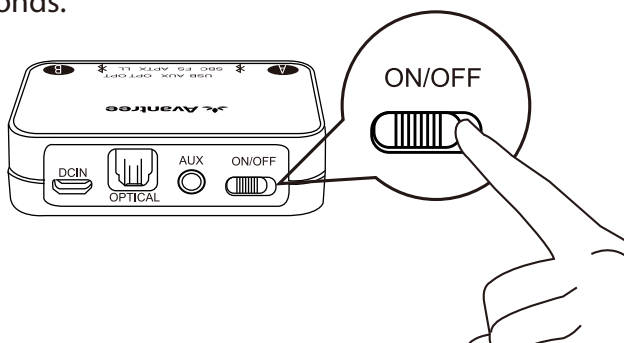
### Powering up transmitter


Powering up the transmitter with the USB cable provided. Connect it either to a TV USB port or any other USB charger that supports 5V/500mA-2A.

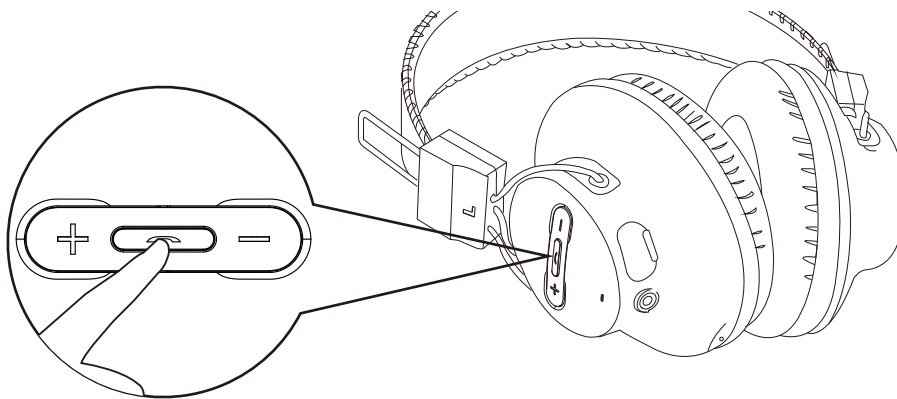


### Turn on both devices

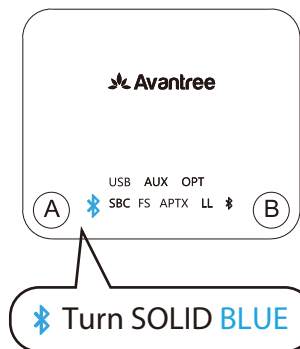
Turn on the transmitter – Slide on/off switch to “ON” position,  close to A flashes BLUE once per 2 seconds.



Turn on the headphones – Press and hold  for 2 seconds until you see the first sight of **BLUE** light.



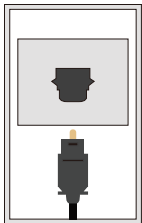
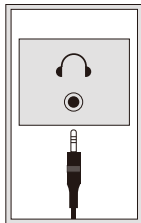
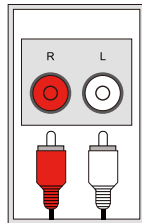
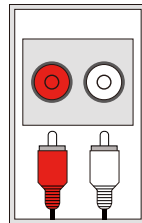
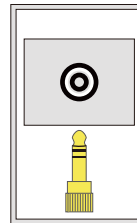
They will auto-reconnect, indicators are: 1) Headphones say “Connected”. 2)  close to A on the transmitter and LED on headphones turn **SOLID BLUE**.



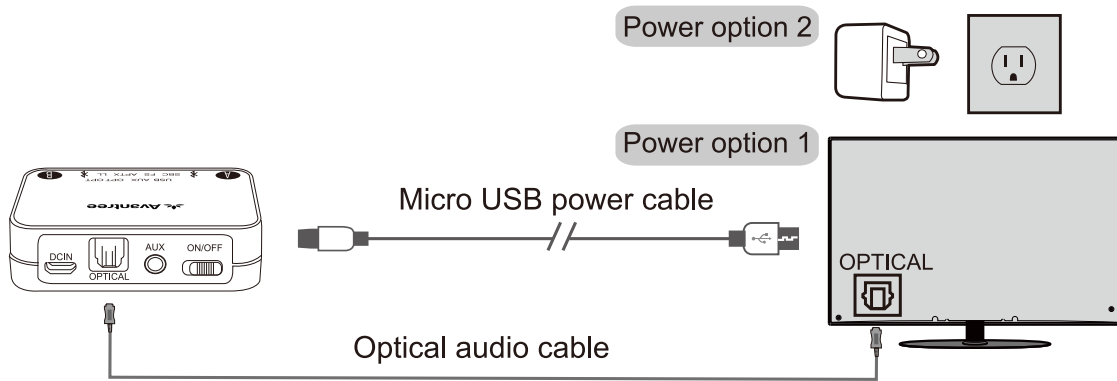
## Use HT4189 with your TV

Check your TVs output options before the set up

HT4189 works with **OPTICAL output, AUX 3.5mm output, and RCA (labeled “AUDIO OUT”)** output.

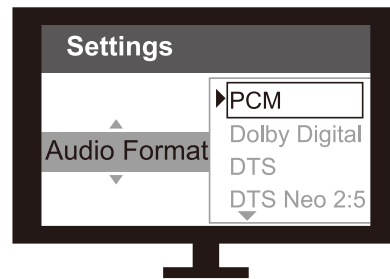
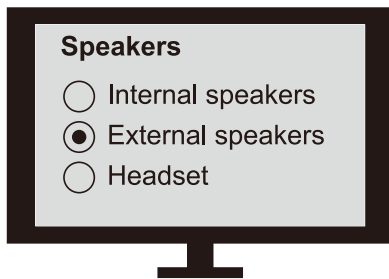
	Optical OUT	AUX/3.5mm	RCA jacks labeled "AUDIO OUT"	Other RCA jacks (usually audio IN)	Big Phone Jack
Jack Options					
Natively Supported?	✓	✓	✓	✗	✗

## TVs with OPTICAL audio out



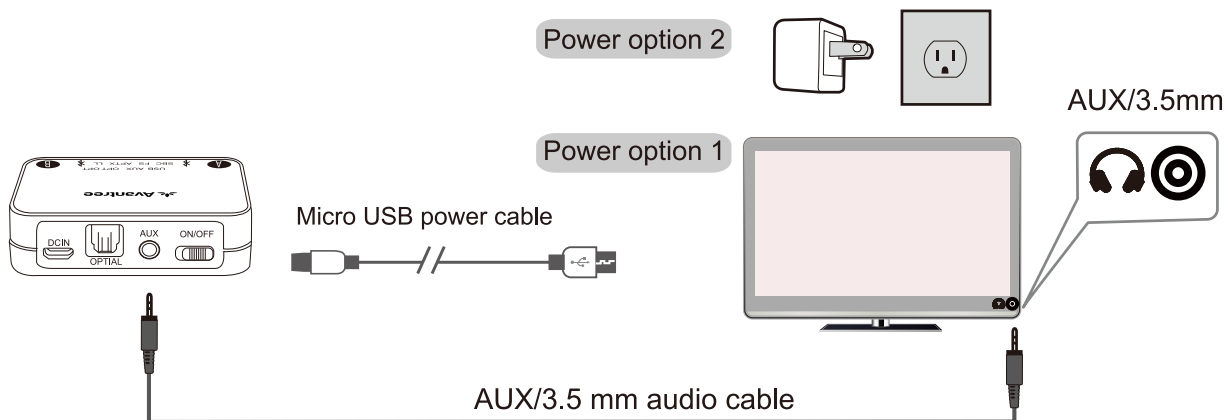
After turning on HT4189 and connecting cables, you should be able to hear sound from your headphones; if not,

- Ensure your TV speaker is set to “External Speaker”.
- Ensure TV audio format is set to “PCM” or “Dolby/DTS” is OFF (This is **IMPORTANT**)

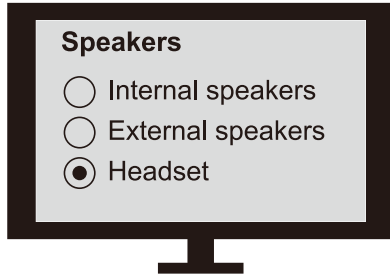


**Note:** Setting menu may be different depending on different TV brands and model.

## TV s with AUX 3.5mm Audio Out

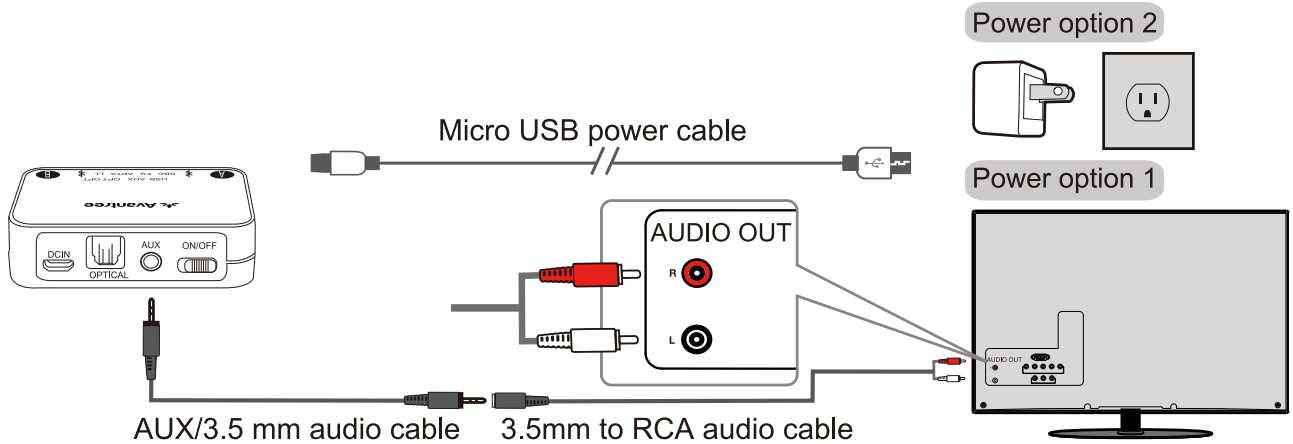


After turning on HT4189 and connecting cables, you should be able to hear sound from your headphones; if not, ensure your TV speaker is set to "Headset"



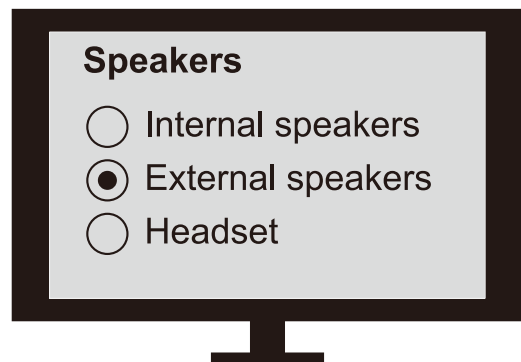
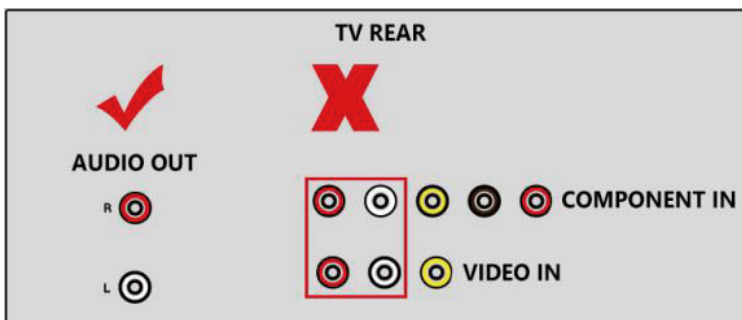
**Note:** Setting menu may be different depending on different TV brands and model.

**TVs with RCA audio out (Red/White ports labeled "AUDIO OUT")**



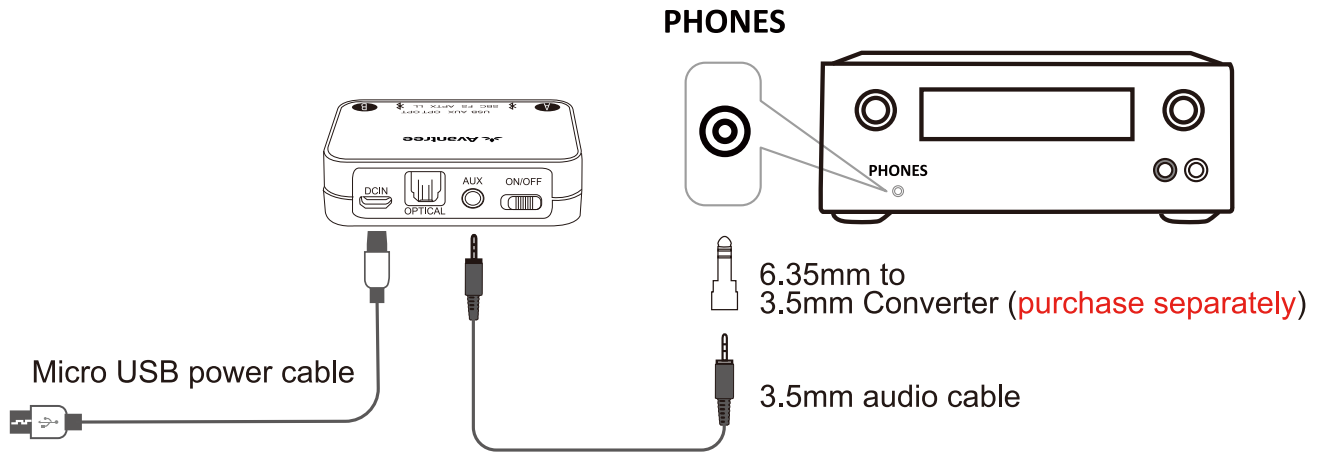
After turning on HT4189 and connecting cables, you should be able to hear sound from your headphones; if not,

- Ensure use TV Red/White ports labeled "AUDIO OUT", other Red/White ports are incorrect.
- Ensure your TV speaker is set to "External Speaker".



**Note:** Setting menu may be different depending on different TV brands and model.

# Use HT4189 with your AV Receiver with 6.35mm PHONE jack



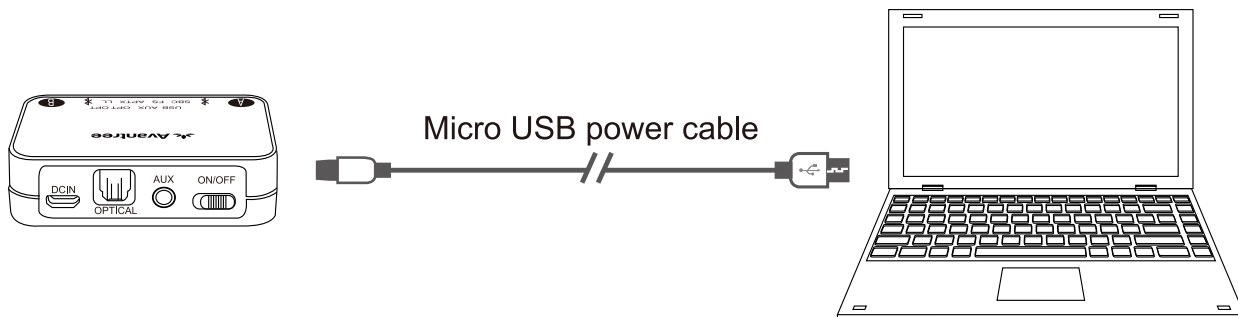
## Notes:

- HT4189 is not compatible with ANY RCA(L/R) ports on your AV Receiver, ONLY use the BIG 6.35mm PHONE OUT on front side of your AV Receiver with the 6.35mm to 3.5mm adapter.
- Do NOT set the volume of your AV Receiver too high.
- Plug wired ear buds to the port on AV receiver; check whether the sound is normal.

# Use HT4189 with your PC/Laptop

The HT4189 transmitter supports Micro USB digital audio input from your PC/Laptop. This delivers much better audio quality compared to plugging it into the standard 3.5mm AUX analog port.

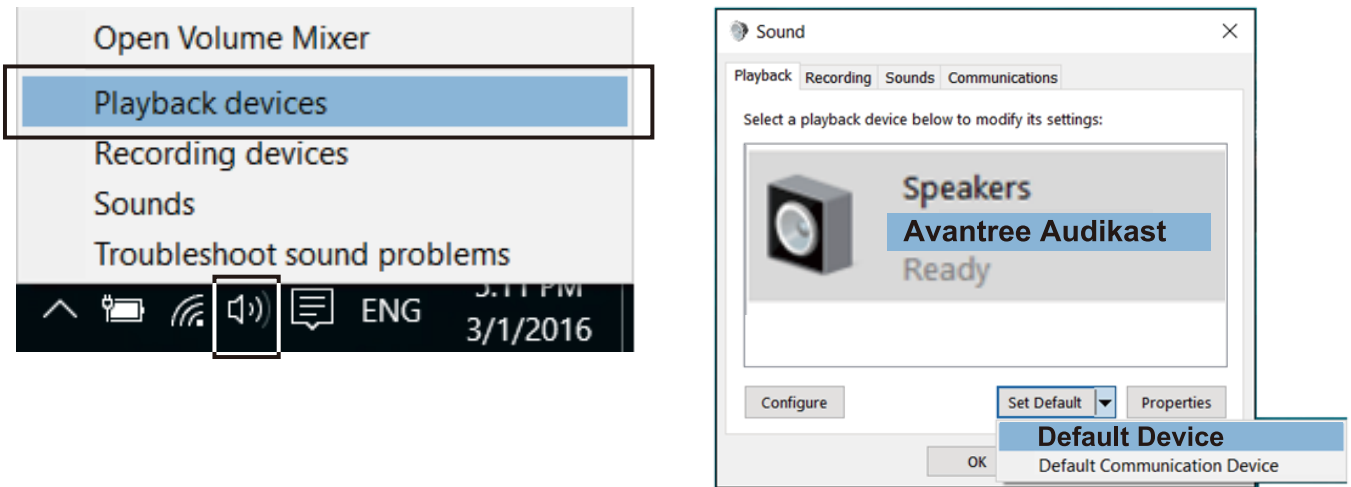
Connect the transmitter to PC/laptop via the included Micro USB data/charging cable.



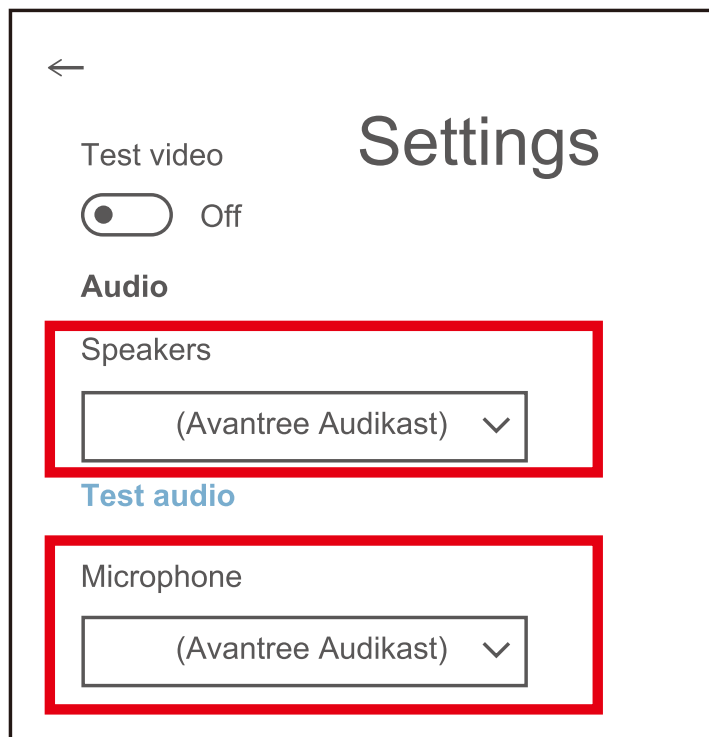
**Note:** The connecting cable must have both DATA SYNC and charging capabilities.

After turning on HT4189 and connecting cables as above, you should be able to hear sound from your headphones; If not:

- Set as default "Playback device" on PC/laptop - Right-click the speaker icon in the bottom-right of the taskbar and select "Playback devices".
- Set the "Avantree Audikast" as the "Default Device".



For Skype audio settings, please select "Avantree Audikast" for both Speakers and Microphone.





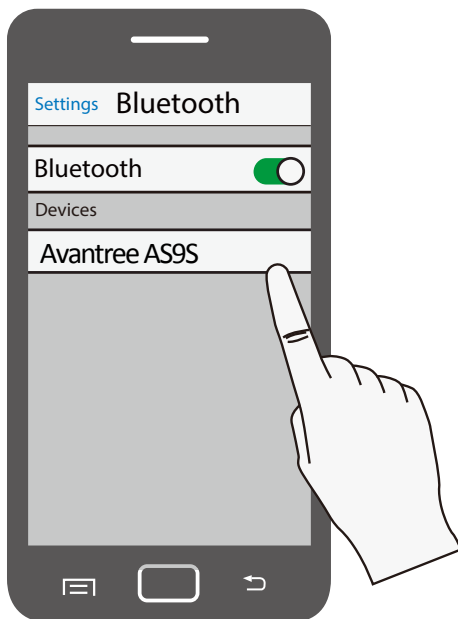
## Use the headphone independently with cellphone

Headphone AS9S can be separately used with cell phone, please follow the step-by-step instruction below :

- Ensure the transmitter is off.
- Enter the headphones into PAIRING MODE - from its OFF state, press and hold the MFB for 5 seconds until the LED flashes **RED** and **BLUE** alternately, and you hear "Pairing" from the headphones.



- Turn on Bluetooth on your smart phone/tablet. Find & select "AS9S" to pair and connect.



**The next time**, you want to use your headphones in this way you will need to select " Avantree AS9S" on your smart phone /tablet to reconnect.

## Add a 2nd pair of headphones

---

- Powering up the transmitter, then turn on the HT4189 headphones and transmitter - they will connect automatically. Now, turn off the headphone.
- Enter the transmitter into PAIRING MODE manually - press and hold B for 2 seconds, ✂ close to B flashes BLUE and RED alternately.
- Place your 2nd headphones into Bluetooth PAIRING MODE (please refer to your 2nd headphones' user manual).
- Keep the devices close to each other and wait. Once connected, ✂ close to B on the transmitter will turn SOLID BLUE.
- Now turn back on the first headphone, it should auto reconnect to the transmitter.

**Reconnect** - Next time, the 2nd headphones will also auto reconnect to the transmitter once turn on. Otherwise, click B once on the transmitter to initiate the reconnecting and ✂ close to B flashes BLUE once per 2 seconds.

## Clear paired history

---

### Clear the paired history of the transmitter

After power on, press and hold BOTH A and B together for 7 seconds, both ✂ will be on BLUE for 2 seconds, then A enter pairing mode automatically, ✂ close to A flashes RED and BLUE alternately.

### Clear the paired history of the headphones

After turning on, press and hold both "+" and "-" for 10 seconds until the RED and BLUE LEDs are BOTH on for 2 seconds (looks PINK) - now all the paired history of the headphones is cleared. It then enters pairing mode automatically with the LED flashing alternately RED and BLUE.

## Headphone charging

---

Please charge the headphones if you hear the "low battery" voice prompt. You can charge using a phone charger (5V/500mA-2A output), PC USB port, TV USB port or any other USB outlet using the included USB cable. It takes about 3.5 hours to fully charge the headphones. The LED will turn RED during charging and turn off once charging is complete.

## Troubleshooting

---

<https://support.avantree.com/hc/en-us/sections/360000098383-BTHT-4189-BLK>